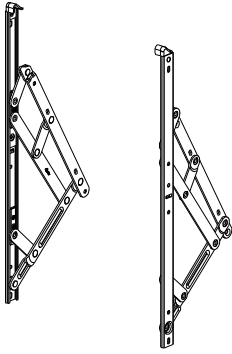
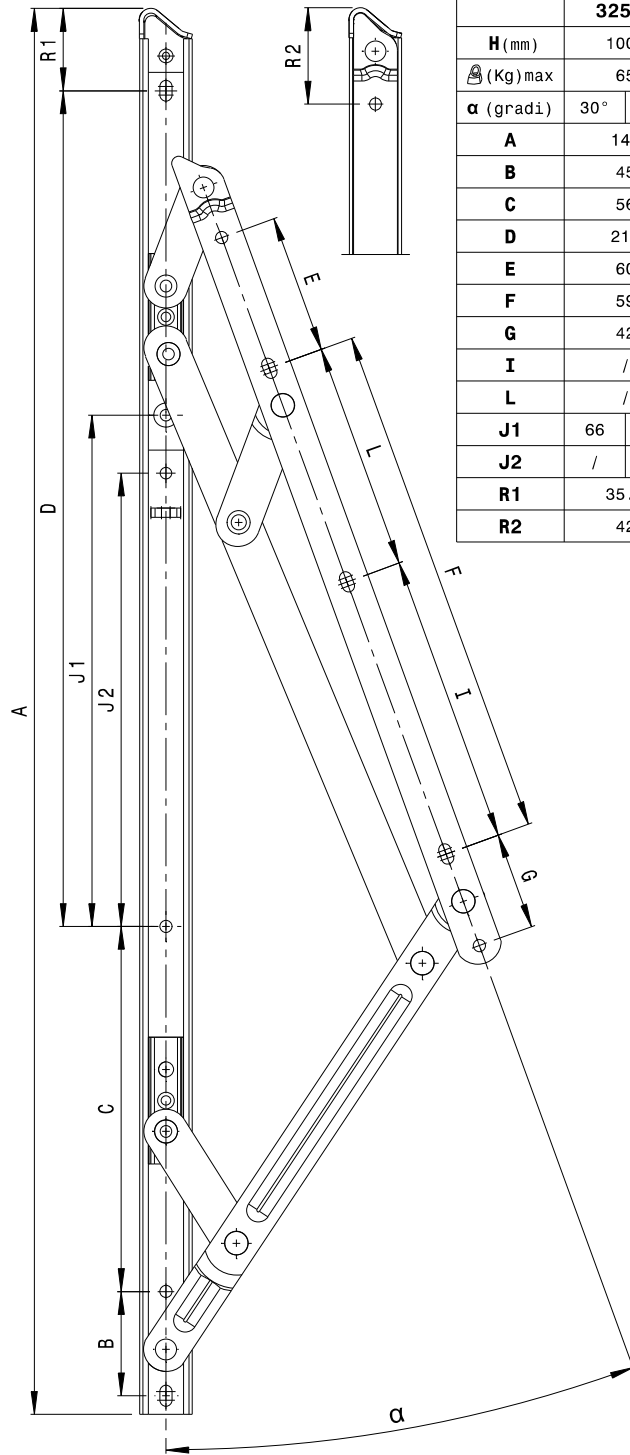


Art. 3250A  
 Art. 3250B  
 Art. 3250C  
 Art. 3250D  
 Art. 3250F  
 Art. 3250H



Art. 3250A: P-C-65 kg (143 lbs)- 1000 mm (39 in) High-NLR  
 Art. 3250B: P-C-85 kg (187 lbs)-1200 mm (47 in) High-NLR  
 Art. 3250C: P-C-100 kg (220 lbs)-1400 mm (55 in) High-NLR  
 Art. 3250D: P-C-110 kg (242 lbs)-1600 mm (63 in) High-NLR  
 Art. 3250F: P-C-120 kg (264 lbs)-1800 mm (71 in) High-NLR  
 Art. 3250H: P-C-130 kg (287 lbs)-2000 mm (79 in) High-NLR



	3250A		3250B		3250C		3250D		3250F		3250H	
H (mm)	1000		1200		1400		1600		1800		2000	
Ⓜ (Kg) max	65		85		100		110		120		130	
α (gradi)	30°	35°	25°	30°	25°	30°	20°	25°	15°	20°	15°	20°
A	14"		16"		18"		20"		24"		28"	
B	45		44		44		44,5		45		52	
C	56		116.5		154,5		147,5		147,5		147,5	
D	212		213.5		220,5		281		370,5		468,5	
E	60		60		60		60		60		60	
F	59		101		127		160		223		297	
G	42		42		42		42		42		42	
I	/		/		/		/		/		149	
L	/		/		/		/		/		148	
J1	66	/	74.5	/	74.5	/	153.5	/	235.5	/	325.5	/
J2	/	41.5	/	41.5	/	41.5	/	123.5	/	206.5	/	293.5
R1	35.5		35.5		35.5		35.5		35.5		35.5	
R2	42		42		42		42		42		42	

